

# Series HSC<sup>3</sup> Split Case Pumps

B-521B



**Bell & Gossett**

a xylem brand

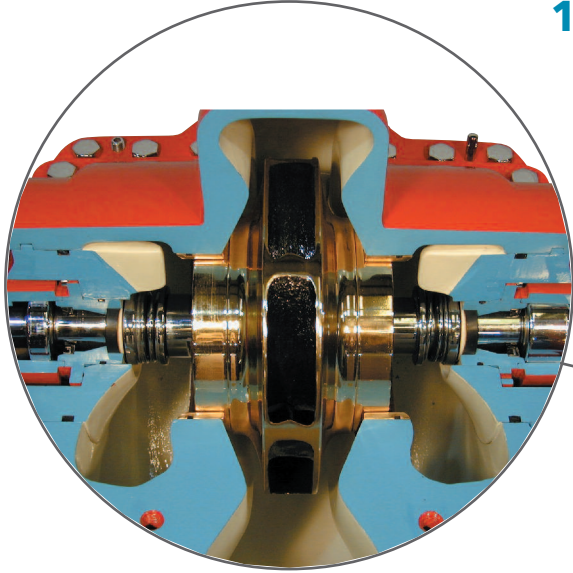
# Series HSC<sup>3</sup> Split Case Pumps

Exponentially superior in design and ease of maintenance.

*HSC<sup>3</sup> adds the power of three key features.*

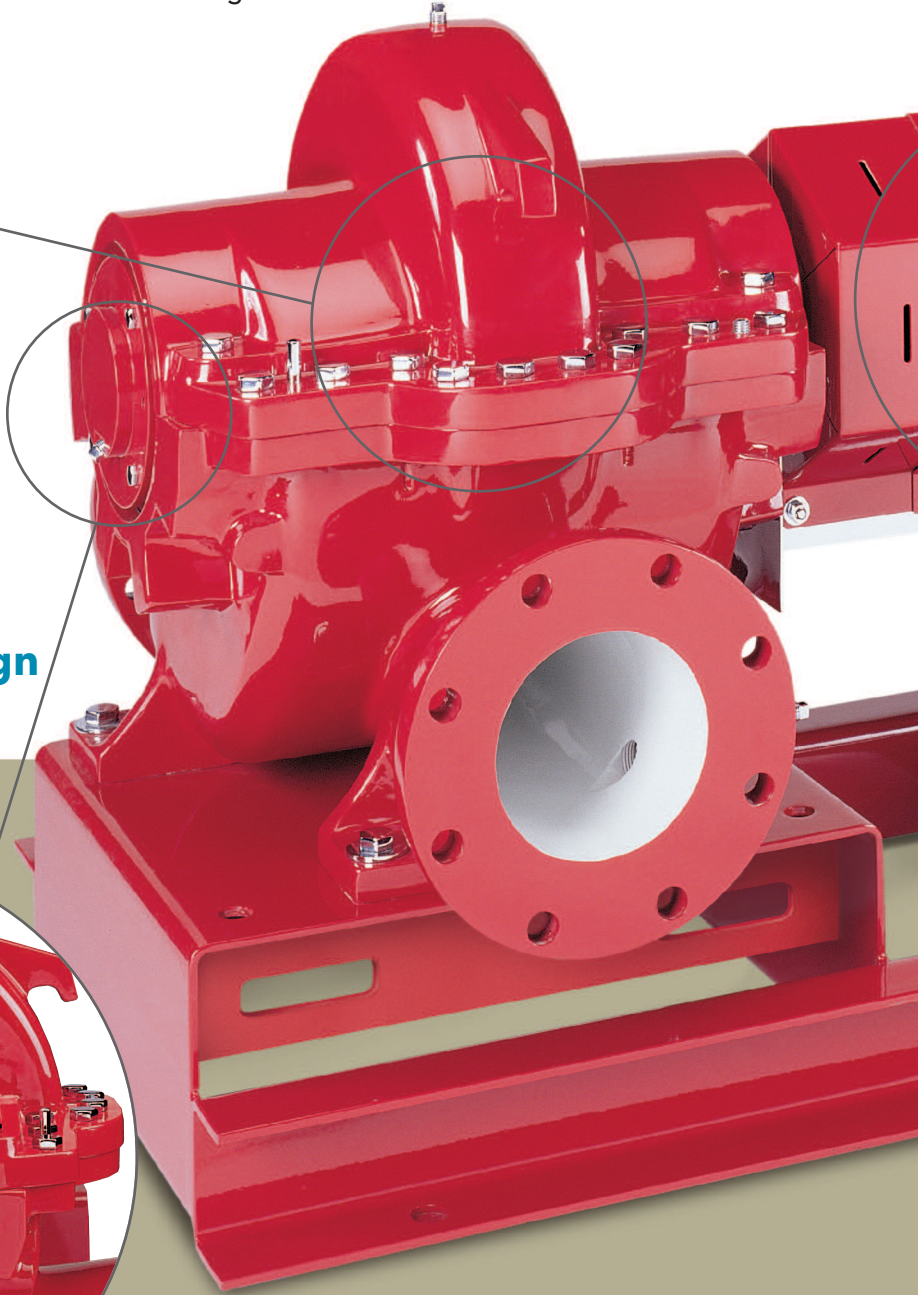
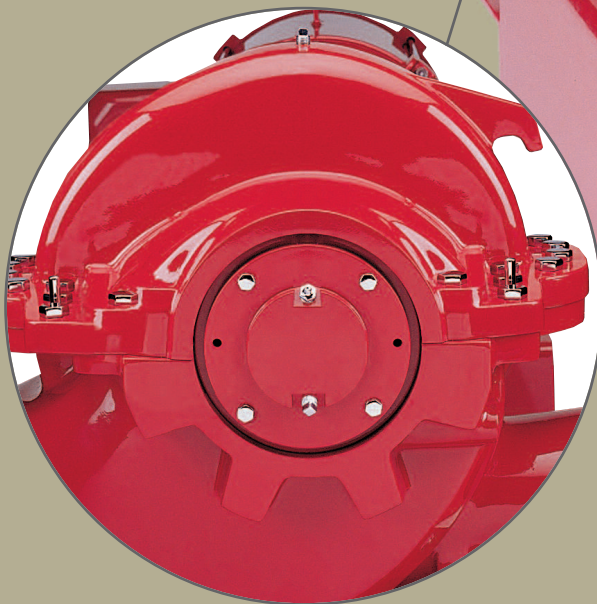
## 1. Internal Self-Flushing Mechanical Seals

Self-flushing seals ensure maximum seal face lubrication, heat dissipation and debris removal without vulnerable external flush tubing.



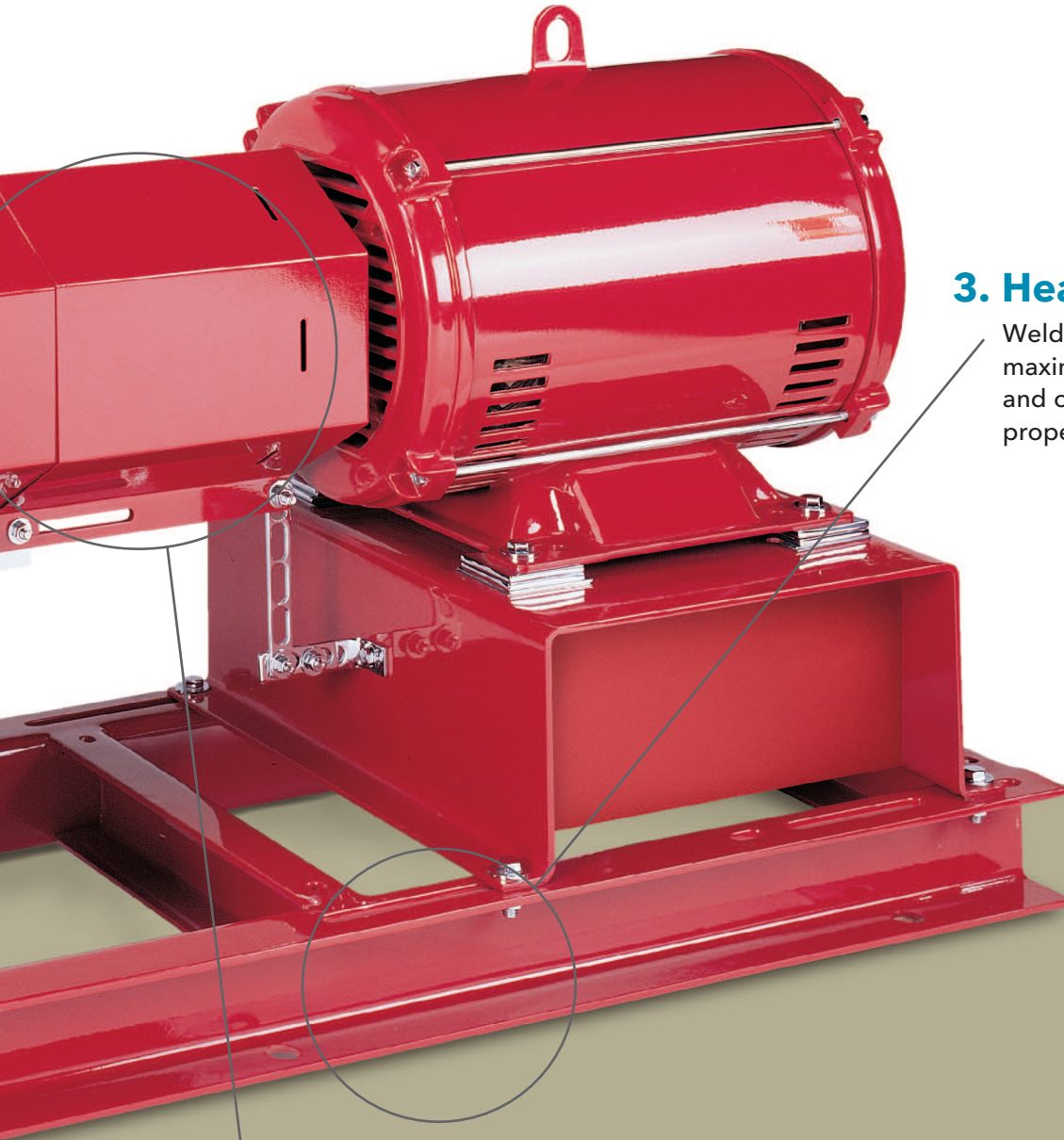
## 2. Easy-Maintenance Design

The unique HSC<sup>3</sup> split case design provides simple access to the bearing and seal components with the removal of only a few bolts.



## Pumps designed for rugged durability.

Traditional split case pumps feature long, deep stuffing boxes that result in overly extended shafts that flex, thereby decreasing mechanical seal and bearing life. The new HSC<sup>3</sup> - just like our VSC & VSC/S Series of pumps - features internally self-flushing seals that significantly shorten the shaft span between the pump bearings. This innovative design sharply reduces shaft deflection, thereby increasing the life of the mechanical seals and bearings.



### 3. Heavy-Duty Base Plate

Welded, heavy-duty base plate assures maximum rigidity; closed base plate ends and open top provide ease of access for proper equipment grouting.

### ANSI- and OSHA-Compliant Coupling Guard

All B&G frame-mounted pumps feature ANSI- and OSHA-compliant coupling guards that are engineered to provide the highest possible level of safety and protection from rotating equipment. Standard on every pump.

## Exceptional performance. Outstanding pump life.

The HSC<sup>3</sup> Series has the rugged durability you've come to expect from B&G pumps. As with all of our pumps, the HSC<sup>3</sup> features internally self-flushing mechanical seals. This innovative design, an industry standard, ensures maximum seal face lubrication, heat dissipation and debris removal - all without vulnerable, external flush lines and filter kits that can clog and cause seal failure. With the Bell & Gossett internally self-flushing seal design, as much as 25 percent of the total pump flow continuously

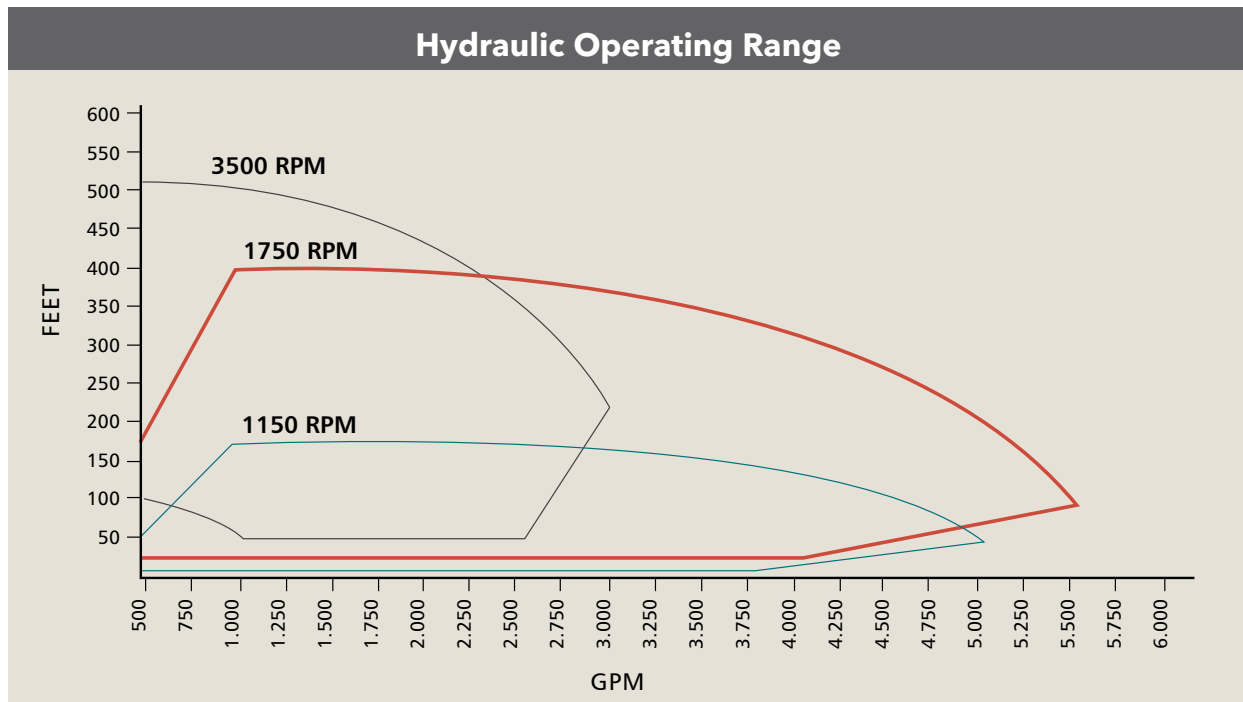
flushes the seal faces compared to only a few GPM for conventional stuffing box mounted mechanical seals. Seals remain cooler and unwanted debris is flushed away from the mechanical seal faces, resulting in longer mechanical seal life.

The short-shaft design reduces shaft fatigue and lowers mechanical seal and bearing wear, ensuring uninterrupted performance.

## Pumps that are easy to maintain and easy to access.

When it comes to service and maintenance accessibility, Bell & Gossett makes it a snap with its HSC<sup>3</sup> design. No rigging or heavy-duty material handling equipment is necessary to service the bearings or mechanical seals. The unique HSC<sup>3</sup> split case design provides simple access to the bearing and seal components with

the removal of only a few bolts. The expensive, time-consuming process of removing the upper casing half and pulling the rotating element is eliminated. Down time and costs are kept to a bare minimum.



Xylem Inc.  
8200 N. Austin Avenue  
Morton Grove, Illinois 60053  
Phone: (847) 966-3700  
Fax: (847) 965-8379  
[www.bellgossett.com](http://www.bellgossett.com)

Bell & Gossett is a trademark of Xylem Inc. or one of its subsidiaries.  
© 2013 Xylem Inc. B-521B October 2011